



F23100 ADJUSTABLE STRAIGHT JET

Technical Characteristics

Adjustable Straight Jet produces a medium bodied, clear stream of water and most widely used in the world of water feature fountains. The nozzle has an integral adjustment feature to allow a variety of spray angles up to 15 degree from the centre. Nozzles are suitable for indoor and outdoor architectural fountains.



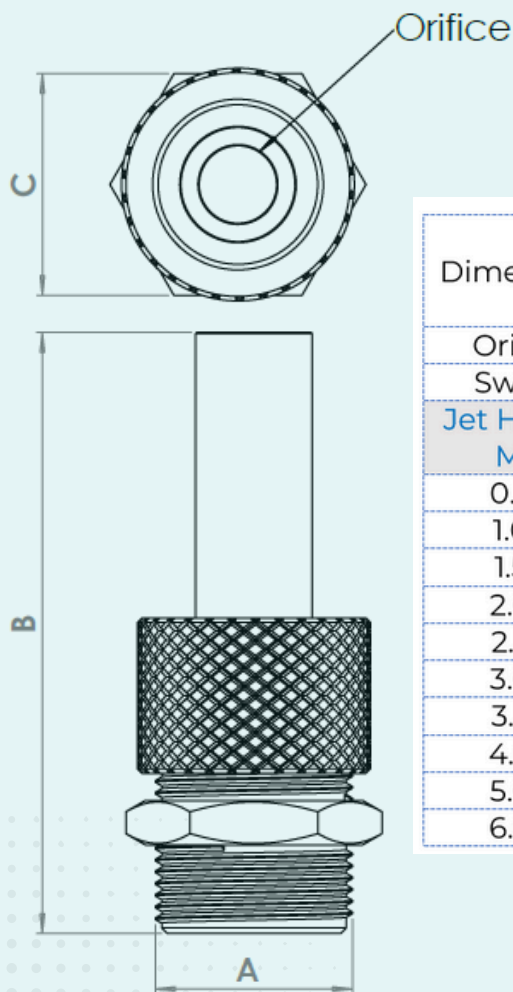
Specification:

- Available in 1/4" , 3/8" , 1/2" , 3/4" , 1" & 1 1/2" inlet size
- Adjustable to 15degree off vertical in a 360 Degree cone
- Can be installed vertically or horizontally
- Custom nozzle length and orifice is available
- Material of Construction: Brass or Stainless Steel
- BSP or NPT threading available
- Water level independent
- Suitable for Indoor and outdoor fountain.

- Aeration Quality: Low
- Wind Stability: Low
- Visibility: Low
- Noise: Low to Moderate
- Splash: Medium

Advantages

- **Simple design:** Nozzles are simple in design, making them easy to install and maintain.
- **Versatility:** Nozzles can be used to create a variety of water effects, from simple vertical jets to more complex parabolic or arching sprays.
- **Affordability:** Nozzles are typically very affordable, making them a great option for budget-minded consumers.
- **Durability:** Nozzles are typically made from durable materials such as brass or stainless steel, so they can withstand the elements and last for many years.
- **Energy efficiency:** Very energy efficient, as they require less water pressure to operate than other types of fountain nozzles.
- **Adjustable height:** Nozzles can be adjusted to produce jets of different heights, making them ideal for a variety of applications.
- **Low maintenance:** Nozzles require very little maintenance, making them a low-cost and hassle-free option.



Dimension	A	3/8"	1/2"	3/4"	1"
	B	51mm	74mm	89mm	107mm
	C	19mm	24mm	31mm	40mm
Orifice		4mm	6.30mm	8mm	14mm
Swivel		±15°	±15°	±15°	±15°
Jet Height		LPM	LPM	LPM	LPM
Mtr		H/m	H/m	H/m	H/m
0.50		3.50/0.70	7.00/0.70	10.0/0.70	30.0/0.7
1.00		5.50/1.50	11.0/1.50	13.0/1.50	45.0/1.50
1.50		6.50/2.00	13.0/2.00	16.0/2.00	50.0/2.00
2.00		7.50/2.50	15.0/2.50	19.0/2.50	65.0/2.50
2.50		8.50/3.00	17.0//3.00	22.0//3.00	70.0/3.00
3.00		9.00/3.50	18.0/3.50	25.0/3.50	80.0/3.50
3.50		10.0/4.00	20.0/4.00	28.0/4.00	85.0/4.00
4.00		11.0/5.00	22.0/5.00	30.0/5.00	95.0/5.00
5.00				35.0/6.00	105/6.00
6.00					115/7.50