

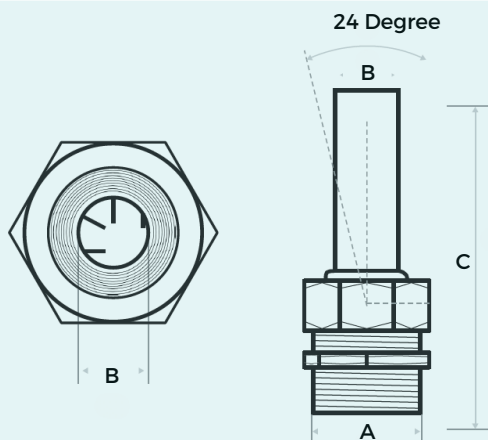


F2307 SMOOTH JET NOZZLE

Technical Characteristics

Tough made - thick wall unit
Smooth (Lance) Jet nozzle - creates crystal water column and it's the most popular water nozzle. Tough made - thick wall unit.

- 24 deg. swivel
- Built with strainer
- Strainer is detachable from the top for easy cleaning
- Conical tube inlet
- Male thread connection
- Outlet orifice can be custom in any diameter: 10 - 20 mm



Dimension	A	G 1"	G 1"	G 1"	G 1 1/2"	G 1 1/2"	G 1 1/2"
B		10mm	12mm	14mm	16mm	18mm	20mm
C		125mm	125mm	125mm	125mm	150mm	150mm
Jet Height Mtr		LPM H/m	LPM H/m	LPM H/m	LPM H/m	LPM H/m	LPM H/m
1.00		23/1.50	36/1.20	45/1.40	62/1.60	68/1.40	92/1.20
1.50		28/2.30	42/1.90	57/2.0	74/2.20	83/1.80	111/2.0
2.00		33/3.10	48/2.40	69/2.60	87/2.80	99/2.50	129/2.50
2.50		41/3.80	53/3.0	77/3.30	96/3.40	110/2.80	142/3.20
3.00		48/4.50	59/3.70	85/3.80	106/4.20	123/3.40	157/3.90
4.00		57/5.90	68/4.70	101/5.10	124/5.70	142/4.80	180/5.0
5.00		63/7.50	79/6.10	117/6.40	138/7.30	156/5.40	198/6.20
6.00		69/9.30	91/7.60	130/7.80	151/8.80	167/6.40	221/7.50
7.00			102/8.60	142/9.30	165/9.80	182/7.50	238/8.80
8.00				155/10.4	177/11.0	206/8.40	255/10.0
10.00					197/12.1	234/10.8	301/12.3
12.00						261/13.2	332/14.8
14.00							364/17.0