



FONTA



## F2305 COMPACT SWITCH DRY DECK

### Technical Characteristics

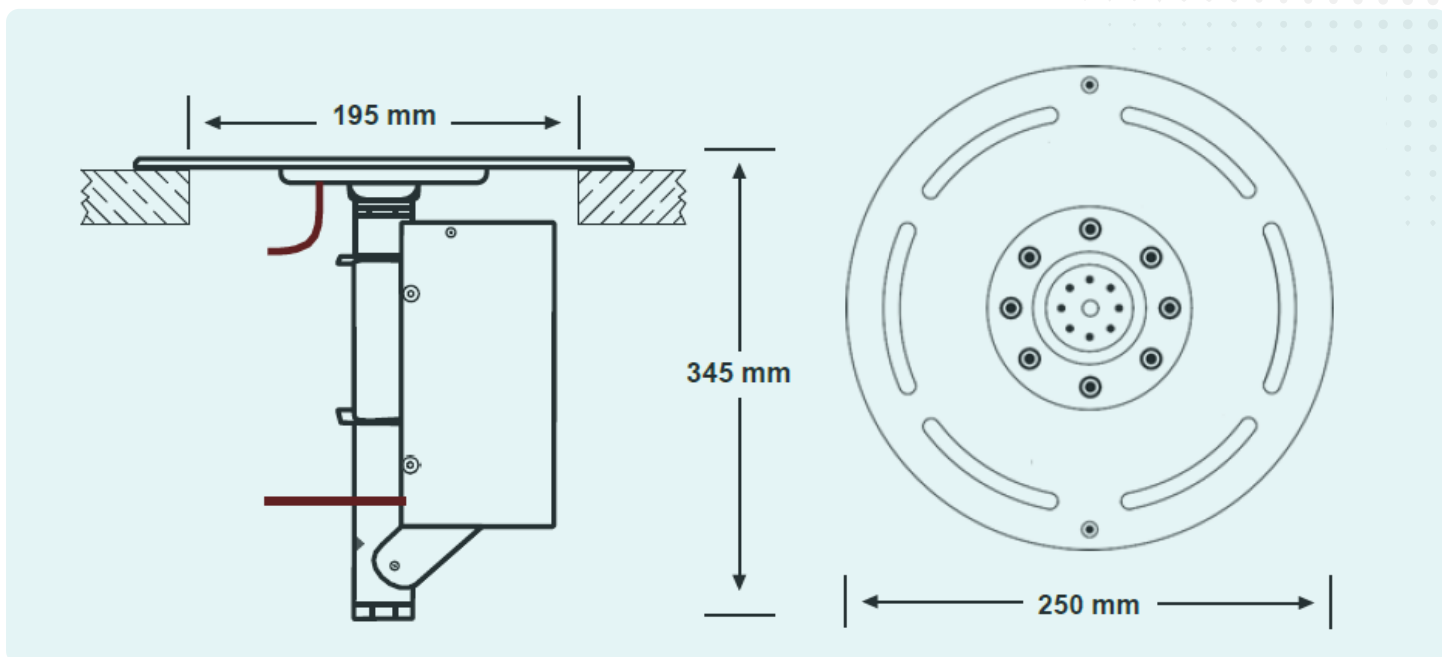
Compact size switching dry deck set that can be complement with stainless steel

niche. Full stainless steel dry deck set brings endless water and light effects. Fault free mechanism with no usual solenoid valves or clogging usual switch parts. Can be equipped with different nozzles and controlled via DMX



### Specification

- 316 grade, beveled edge, 5 mm thickness cover
- Round 24VDC 27W , RGB or single color, DMX controllable LED light
- 24VDC 30W bipolar connection switching mechanism
- 1" water inlet connection
- All stainless-steel body parts
- Switching up to 10 times/sec.
- Switching unit operates water flow up to 110 LPM
- Switching unit is water level independent
- Depend on chosen nozzle, required suction strainer filter 2-3mm



**Advantages:**

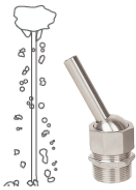
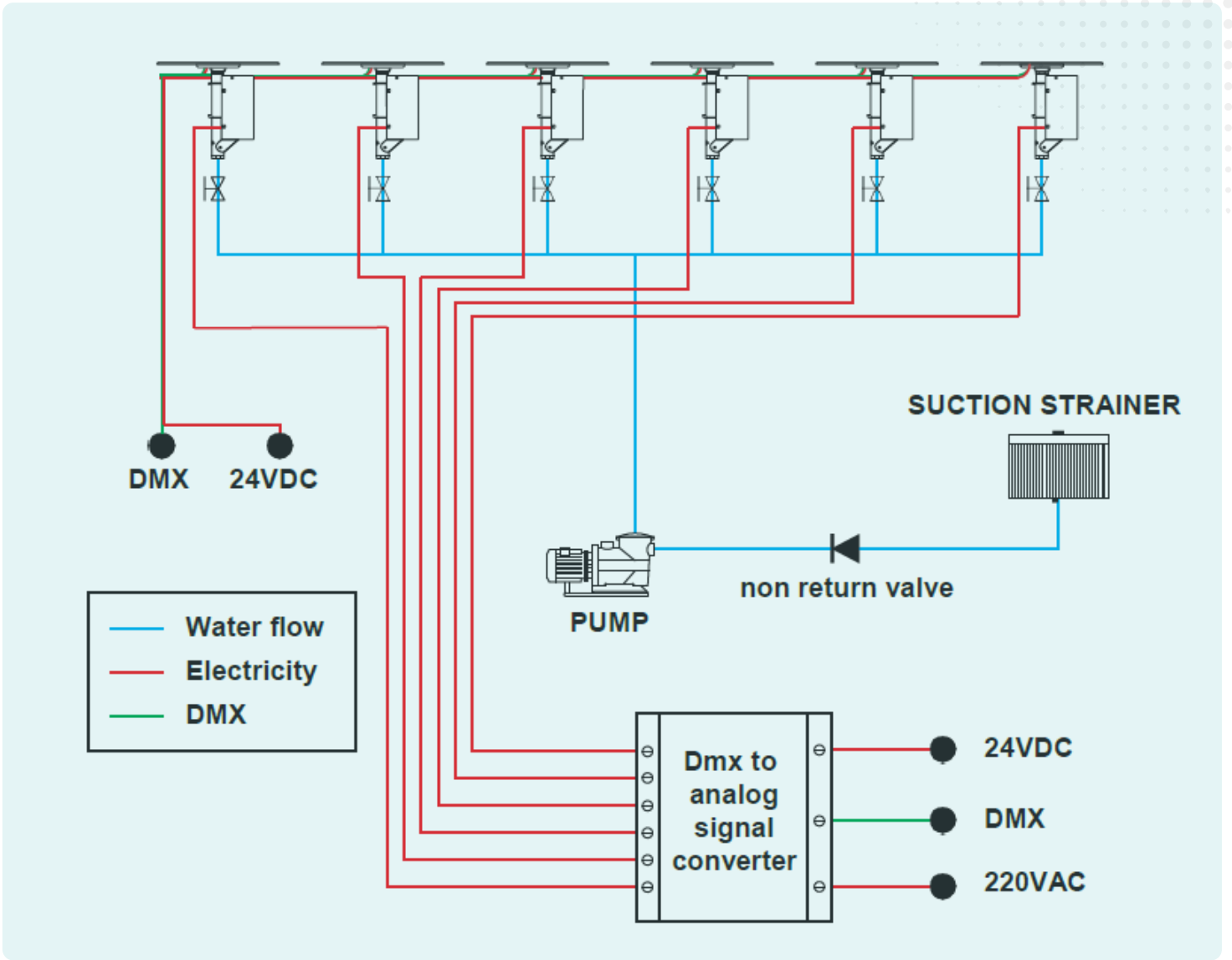
- Compact size
- Easy to install
- Durable, reliable, no maintains required
- Nozzles has easy adjustable angle option
- Can operate high water jets up to 110LPM
- Switching unit has low requirements for water quality
- No water hammer fault possibility
- No micron filter is required
- No need for high pressure pumps to achieve high nozzle jets



**OPTIONAL  
F2305 WITH NICHE**

**Niche:**

- 304 grade stainless steel (316 upon request)
- Compact size
- Quick connection upper part to niche with no hoses
- 90mm outlet, compatible with sewerage pipes
- Inlets and outlets regarding needs



**F2301 SMOOTH  
JET NOZZLE**



**F2302 FOAM  
EFFECT NOZZLE**



**F2303 CLUSTER  
MULTI JET**

Jet Height Mtr	LPM	Head Mtr	Bar.
0.50	28	1.50	0.15
1.00	35	2.00	0.20
1.50	42	3.50	0.35
2.00	45	4.50	0.45
2.50	52	5.50	0.55
3.00	55	6.50	0.65
3.50	61	7.50	0.75
4.00	64	8.50	0.85

Jet Height Mtr	LPM	Head Mtr	Bar.
1.00	37	4.50	0.40
1.50	54	5.50	0.50
2.00	61	6.50	0.65
2.50	68	7.50	0.75
3.00	71	8.50	0.85
3.50	78	9.50	0.95
4.00	85	10.50	1.07

Jet Height Mtr	LPM	Head Mtr	Bar.
0.50	35	2.00	0.20
1.00	43	3.50	0.35
1.50	51	4.40	0.44
2.00	59	6.00	0.66
2.50	67	7.50	0.75
3.00	74	9.00	0.90
3.50	81	10.50	1.05