

## F2310 SWIVELS



FONTA

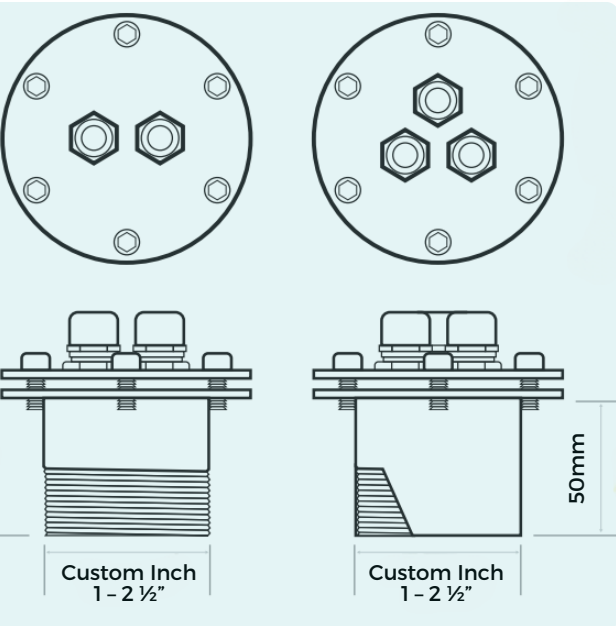
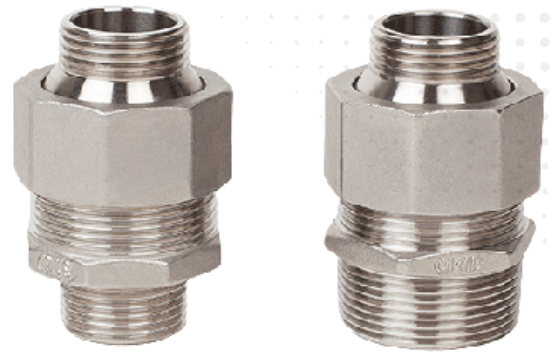
### Technical Characteristics

Swivel connection units fit all types of nozzles.

With the swivel connection, you may adjust the outlet up to 10°. Made from 304 S.S. (316 upon request)

The unit consists of male thread for the outlet - male connection for the inlet, and the octagon bolt for fixing.

As standard comes in three sizes 1" to 1" ; 1 1/2" to 1 1/2" ; 1" to 1 1/2"



## F2311 CABLE INLETS

### Technical Characteristics

Housing made of 304 stainless steel (316 on request), assembled with IP68 stainless steel cable glands, has removable flange cap, EPDM O-ring gasket. These parameters will be adapted to the project requirements:

- Size;
- Diameter;
- Inlet connection type and size;
- Cable gland quantity;
- Cable gland size;
- Math or polished surface finish.



## F2312 FLOOR DRAIN



### Technical Characteristics

Grid cover is easy to detach with only one screw fixing.

This floor drain unit grid cover is easy to detach and install with only one screw fixing.

It has a G 4 outlet and a large surface for efficient water drainage.

Made of 304 stainless steel (316 upon request).

## Technical Characteristics

The underwater cable connection box comes with EPDM gasket and stainless steel IP68 rating cable glands, body made from 304 S.S. (316 upon request)

These parameters will be adapted to the project requirements:

- Size
- Diameter
- Inlet connection type and size
- Cable gland quantity
- Cable gland size
- Matt or polished surface finish



## SPARES

### PROTECTIVE GRID

These filter strainers, mounted on the pump lines protect pumps and fountain equipment from rubbish. Filter's construction creates a large filtration surface and allows high water flow. With bolts on the top is easy to dismantle it for cleaning.

Perforated holes can be 2 or 3 mm in diameter. The standard product width is 450 mm, height - 300 mm. Upon request, parameters can be customized. This filter fits our Cutters and Switches, additional filtration is not needed.



### STAINLESS STEEL NICHES

Stainless steel niches can be custom made according to your technical needs or tender requirements.

The parameters of the product are customized individually. You may choose:

- Diameter
- Height
- Flanges
- Inlets and outlets
- Background Mold
- Fixing places
- Inlets and outlet





## POLYETHYLENE NICHES

Niches for dry deck fountains are made of PE (polyethylene plastic), the material that suits the best. Lightweight construction, easy installation and fitting makes this product simple to work with.

- We offer water feed line quick and easy connection. Niche has a male socket at the bottom and switch easily fits in with the cover from the top. No hoses needed.
- Outlet, can be compatible with 110; 70mm sewerage pipes
- Cable outlets can be set with 20mm pipe connectors

The parameters of the product are customized individually. You may choose:

- Diameter
- Height
- Flanges sizes
- Inlets and outlets
- Background Mold
- Fixing places

